

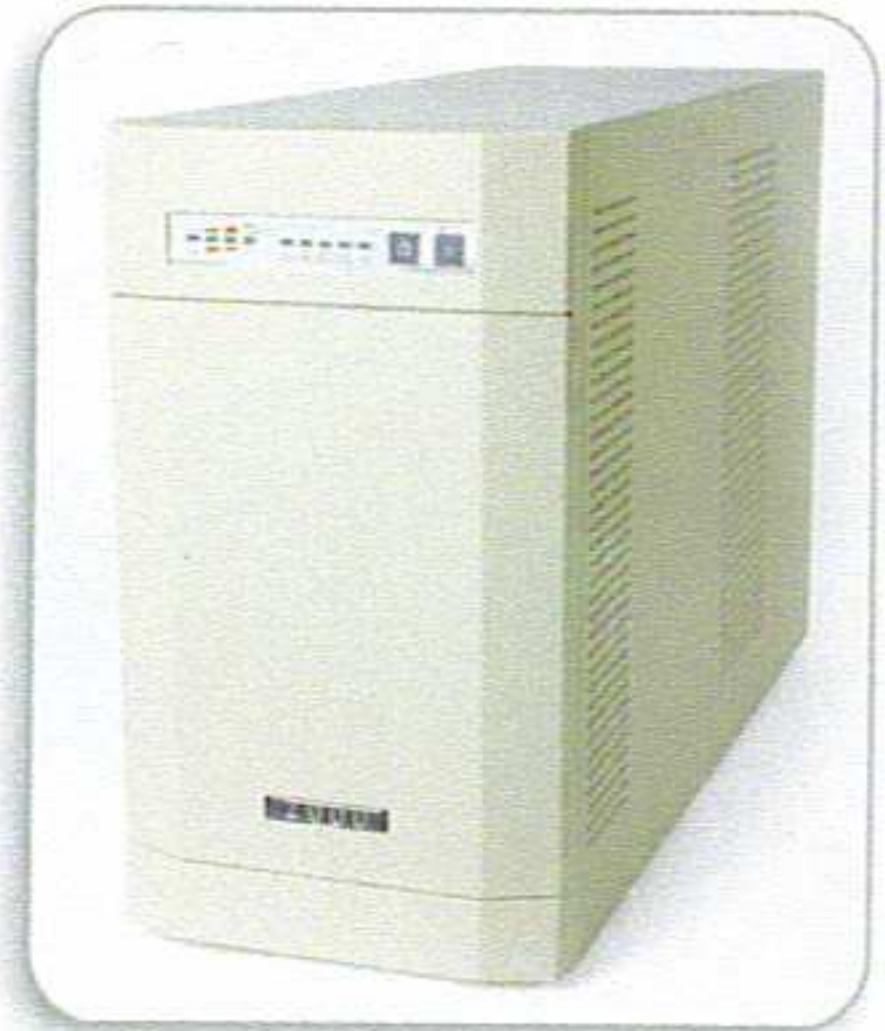
True On-Line UPS

LH SERIES 700 VA - 3000VA

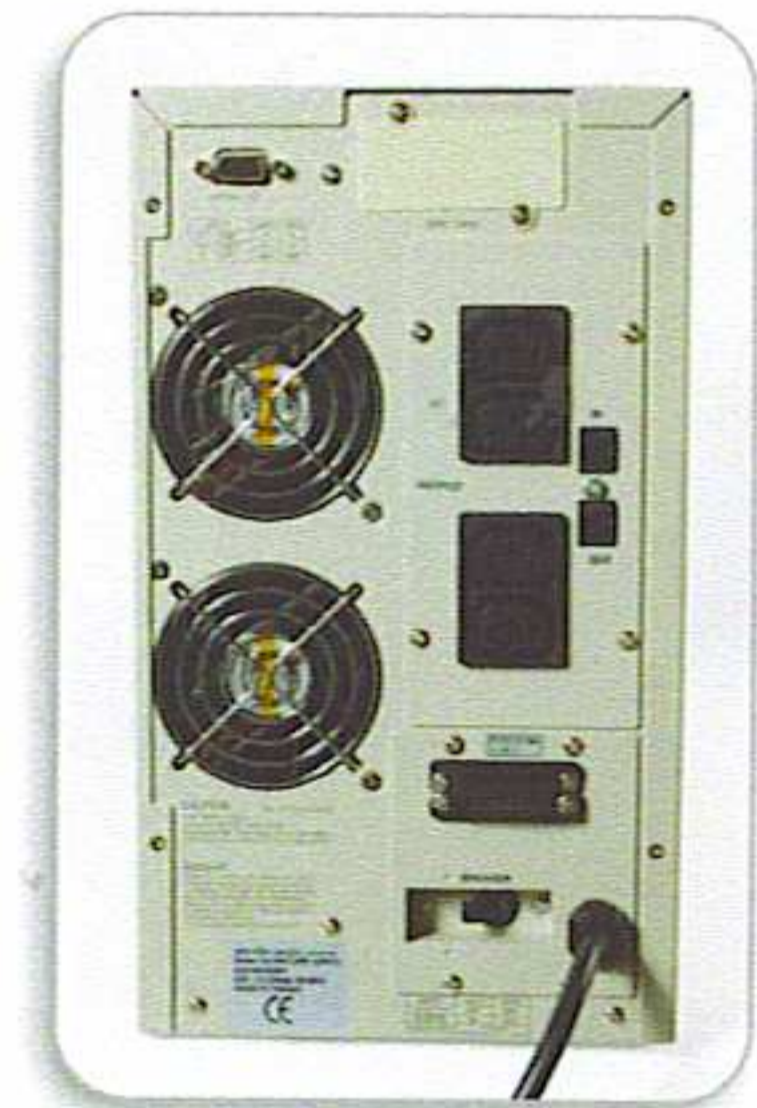
Long Backup Version

The LH Series UPS is an advanced true on-line, double conversion UPS system which is suitable for larger battery banks to provide longer back-up times and is intelligent and Microprocessor controlled. Generator compatibility is one important advantage for certain power supply conditions and RS232 communication advanced design make it compatible with sophisticated monitoring software.

Models including, and above 3KVA, are capable of running in 'parallel redundant' mode and feature an internal SNMP slot option. This range of UPS systems is specifically recommended for network applications with long backup requirements.



- **Intelligent Microprocessor Controlled True On-Line**
- providing no-break protection for critical applications;
- **Double Conversion and Pure Sine Waveform Output**
- the cleanest, most compatible AC output for computer systems;
- **50KHz High Frequency Operation**
- compact size, lighter weight for decreased shipping costs;
- **Near Unity Input Power Factor (>0.95)**
- saving input current by 1/3;
- **Superior Output Voltage Regulation**
- Eliminates unnecessary battery discharges for violent voltage fluctuations;
- **High Efficiency (>80%)**
- High energy efficiency reducing operating costs;



LH Long Back-up Time Option - Plug-in external battery packs; RS232 Interface and SNMP solutions - available for most operating systems.

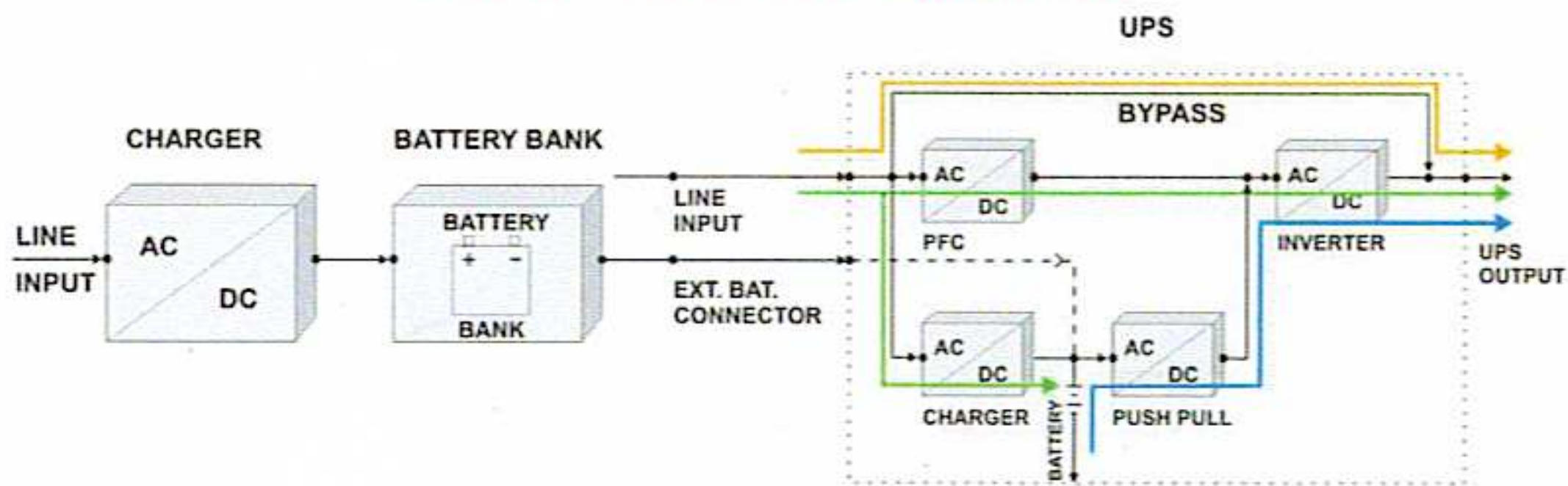
PLAN MY POWER (PTY) LTD
Tel: 011 678 5101 Fax 011 678 0678

www.dc-ac-power-inverters.co.za
www.planmypower.co.za



True On-Line UPS

TECHNICAL SPECIFICATIONS: SYSTEM BLOCK DIAGRAM



SPECIFICATIONS

MODEL		LH700	LH1000	LH2000	LH3000
	VA Rating	700VA	1000VA	2000VA	3000VA
	Wattage	450W	700W	1400W	2000W
	Current (220-240V) max	3A	4.3A	8.7A	13A
Output	Voltage	220, 230, 240V +/- 2%			
	Frequency	50 / 60 Hz Auto select			
	Wave form	Pure sinewave			
	Harmonic Distortion	Less than 3% at full load (Linear load)			
Charger Output	Max. Voltage	27.5VDC	41.5VDC	83VDC	110VDC
	Current (total max.)	12A	12A	8A	6A
Input	Voltage	160 V – 275 V			
	Frequency	45 – 65 Hz Auto select			
Runtime	Full Load	As per battery set			
	Half Load	As per battery set			
Transfer Time	INV to Bypass / Bypass to INV	Less than 4 msec. (2 msec. Min) / Zero-Cross Transfer			
	Power Failure Recovery	0 msec. to or from battery			
Required External Battery Pack	DC Voltage	24 VDC	36 VDC	72 VDC	96 VDC
	DC Float	27.5 VDC	41.5 VDC	83 VDC	110 VDC
Efficiency	Type	12V / 7Ah Lead acid maintenance free			
	Battery Quantity	External batteries as required per model			
	Recharge Time	5 – 8 hours			
	Recharge Current	6A – 12A (max.) depending on model			
Audible Noise	AC to AC	85% MIN.			
	At one meter	< 40 dBA		<50dba	
Indicators	LED Display	LINE, INV, BAT, BYPASS, FAULT, BAT / LOAD LEVEL			
Auto Restart		Yes			
DC Start-up		Yes			
Protection	Overload	> 110% of full load with 15 – 20 sec. delay, 150% immediately			
	Over / Undervoltage at I/P or O/P	Inverter shutdown protection			
	Phone Jack	RJ – 11 / RJ - 45			
	Short Circuit	Shut down and won't transfer to bypass output, will work normally again when short circuit is removed			
Approvals	EMC/LVD (230 V, 50 Hz)	EN50091-2 / EN50091-1			
	C-TICK (240 V, 50 Hz)	AS-NZS 3548			
	Safety	TUV GS Mark EN50091-1-1, UL 1778-2601-1,UL,CUL			
	USA FCC (120 V, 60 Hz)	FCC PART 15			
	CNS BSMI (110 V,50/ 60 Hz)	CNS 13438			
Computer Interface	LAN / RS232 Interface	Mains fail, battery low & remote shutdown UPS, RS232 communication			
Mechanical	Dimensions (WxD)mm	140 x 190 x 440		190 x 320 x 500	
	Net/Gross Weights (kg)	12.3 / 13.8	14.8 / 16.3	32.4 / 36.4	38.2 / 42.2
Environment	Temperature	0 deg C to 40 deg C			
	Humidity	0 – 95% Non-Condensing			

We reserve the right to change specifications without prior notice

PLAN MY POWER (PTY) LTD
Tel: 011 678 5101 Fax 011 678 0678

www.dc-ac-power-inverters.co.za
www.planmypower.co.za