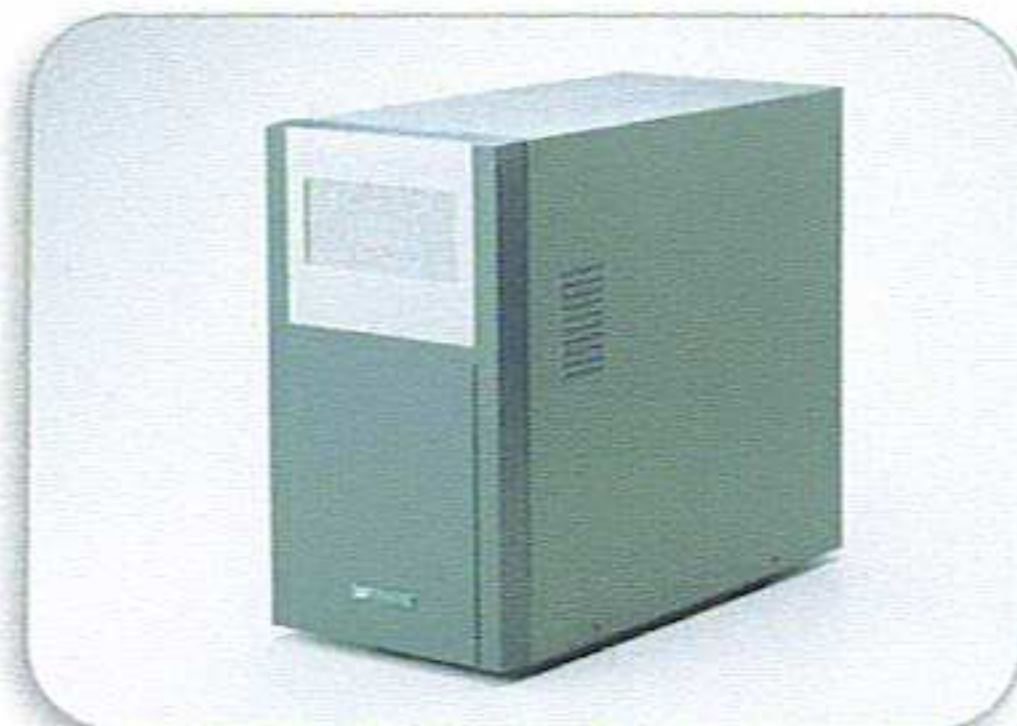


True On-Line UPS

MR/MRD Series-600VA to 2000VA

The exceptional "MR/MRD" Series deliver the most effective uninterruptible power protection in the marketplace. Available in 600VA to 2000VA capabilities, these models are recognized worldwide by users for their true on-line double conversion topology, high efficiency operation, true isolation, near unity input power factor and superior output voltage regulation. The MR/MRD Series of products feature a wide input mains voltage range virtually eliminating unnecessary battery discharges insuring that the batteries are reversed for true emergency conditions. The input mains voltage range for the MR/MRD Series is between 90-130VAC for 120VAC models and 160-270VAC for 230VAC models.

MR Series

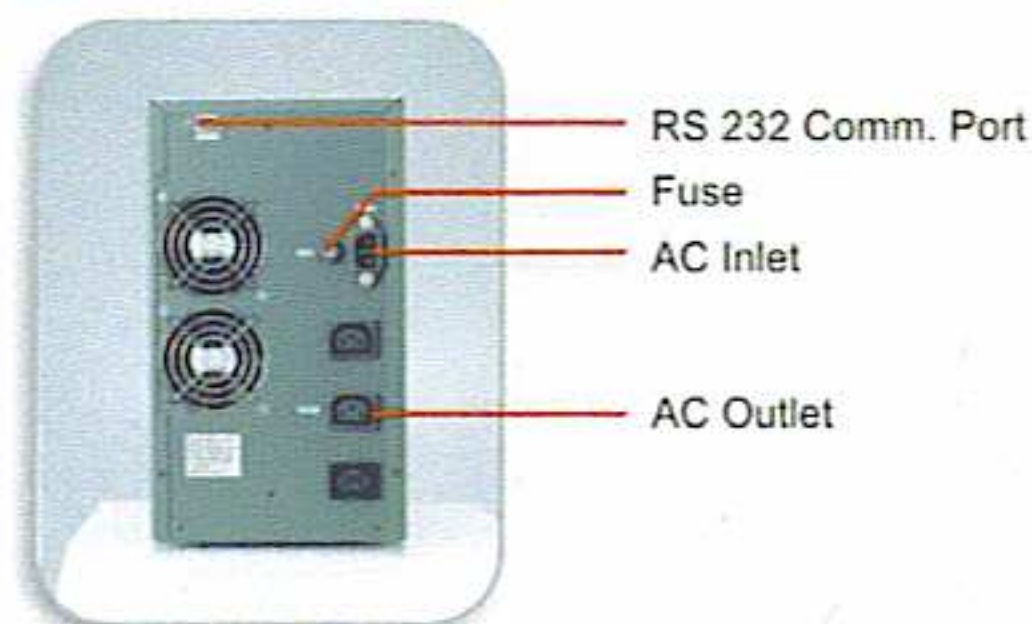


MRD Series



- **True On-Line**
No-break protection for critical applications
- **Double Conversion and Pure Sine Waveform Output**
The cleanest, most compatible AC output for computer systems
- **50KHz High Frequency Operation**
Compact size, lighter weight for decreased shipping costs
- **Near Unity Input Power Factor (≥ 0.95)**
Saving input current by 1/3
- **Superior Output Voltage Regulation**
Eliminating unnecessary battery discharges for violent voltage fluctuations
- **Dual Full Bridge Inverter and Complete Isolation**
More durable and higher reliability
- **High Efficiency ($\geq 85\%$)**
More efficient and energy saving
- **RS232 Interface and SNMP Solutions**
Available for most operating systems and Novell environments

MR/MRD Back View

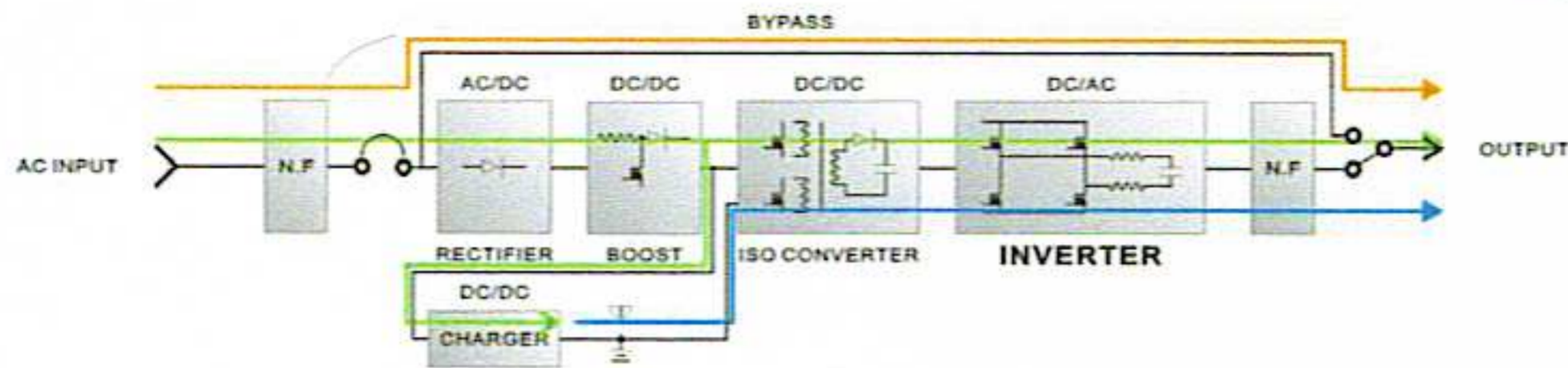


PLAN MY POWER (PTY) LTD
Tel: 011 678 5101 Fax 011 678 0678

www.dc-ac-power-inverters.co.za
www.planmypower.co.za



SYSTEM BLOCK DIAGRAM



SPECIFICATIONS

Model	LED Display	MR600	MR1000	MR1500	MR2000	MR611	MR1011	
	LCD Display	MRD600	MRD1000	MRD1500	MRD2000	MRD611	MRD1011	
Output	VA Rating	600VA	1000VA	1500VA	2000VA	600VA	1000VA	
	Wattage	420W	800W	1050W	1400W	420W	700W	
	Current (Max)	2.7A	4.3A	6.5A	8.7A	5.2A	8.7A	
	Voltage	220V, 230V, 240V +/- 2%				100V, 110V, 120V +/- 2%		
	Frequency	50/60Hz				60Hz		
	Waveform	Pure Sinewave						
	Harmonic Distortion	Less than 3% at full linear load						
Input	Voltage	160V-270V				90V-130V		
	Frequency	50/60Hz +/- 5%				60Hz +/- 5%		
Runtime	Full Load	8 min.	10 min.	10min.	10min.	8 min.	10 min.	
	Half Load	25 min.						
Transfer Time	UPS to Bypass	Less than 4 msec.						
	Zero-Cross Transfer	0 msec. to or from battery						
Battery	Type	12V/7AH Lead acid maintenance free						
	DC Voltage	24VDC	48VDC	72VDC	96VDC	24VDC	48VDC	
	Recharge Time	5 - 8 hours						
	Recharge Current	1.5A (max.)						
Efficiency	AC to AC	85% min						
Audible Noise		< 45dBA at one meter						
Indicators	LED Display	LINE, INV., BYPASS, FAULT, LOAD LEVEL and BAT. LEVEL						
Audible Alarm	Battery Discharge	Sounding every 6 seconds after mains fail and very second when approaching final discharge						
	Alarm Reset	Press once to stop alarm at back-up mode						
	Fault	Continuously beeping sound						
Auto Restart		When AC line recovers after shutdown by remote LAN signal or end of battery discharge						
DC Start-up		Yes						
Protection	Overload	>110% of full load with 20 sec. delay						
	Over/Under Voltage at INV.O/P	Inverter shutdown protection						
	Short Circuit	The UPS shuts down and will not transfer to the bypass mode when a short circuit occurs on						
		The output of the unit. After the short circuit being removed, the UPS will operate normally again.						
		At short condition, the FAULT LED lights as a warning to end users. (600VA excluded)						
	Lightening & Surge	Passes ANSI/IEEE587 Cat. A						
	EMC/LVD (230V 50HZ)	EN50091-2/EN50091-1						
Safety	TUV GS Mark EN50091-1							
Computer Interface	DB9/RS232 Interface	Mains fail, battery low and remote shutdown UPS /RS232 Communication						
Mechanical	Dimensions (WxHxD)(mm)	140x190x440	180x300x400	180x300x470	180x320x490	140x190x440	180x300x400	
	Weight (kg)	12	22	30	38	12	22	
Environment	Temperature	0 - 40 °C						
	Humidity	0 - 95% Non-Condensing						

Specifications are subject to change without notice.