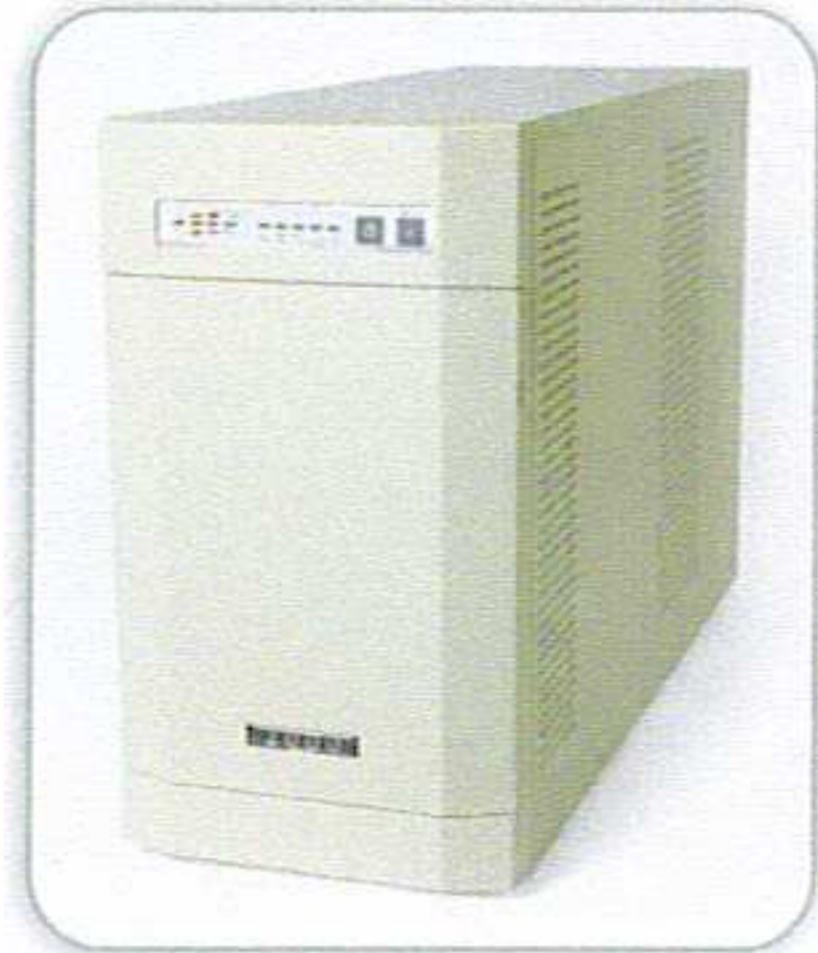


True On-Line UPS

MHC/MHD Series-500VA to 3000VA

The "MHC/MHD" Serie UPS is an advanced true on-line uninterruptible power system which is Intelligent Microprocessor Controlled. Generator compatibility is one important advantage for certain power supply condition and RS232 communication advanced design made it's compatible for sophisticate monitoring software. Models for 2KVA/3KVA and above are with better power security 'Redundant' feature and internal SNMP slot option.

MHC Series

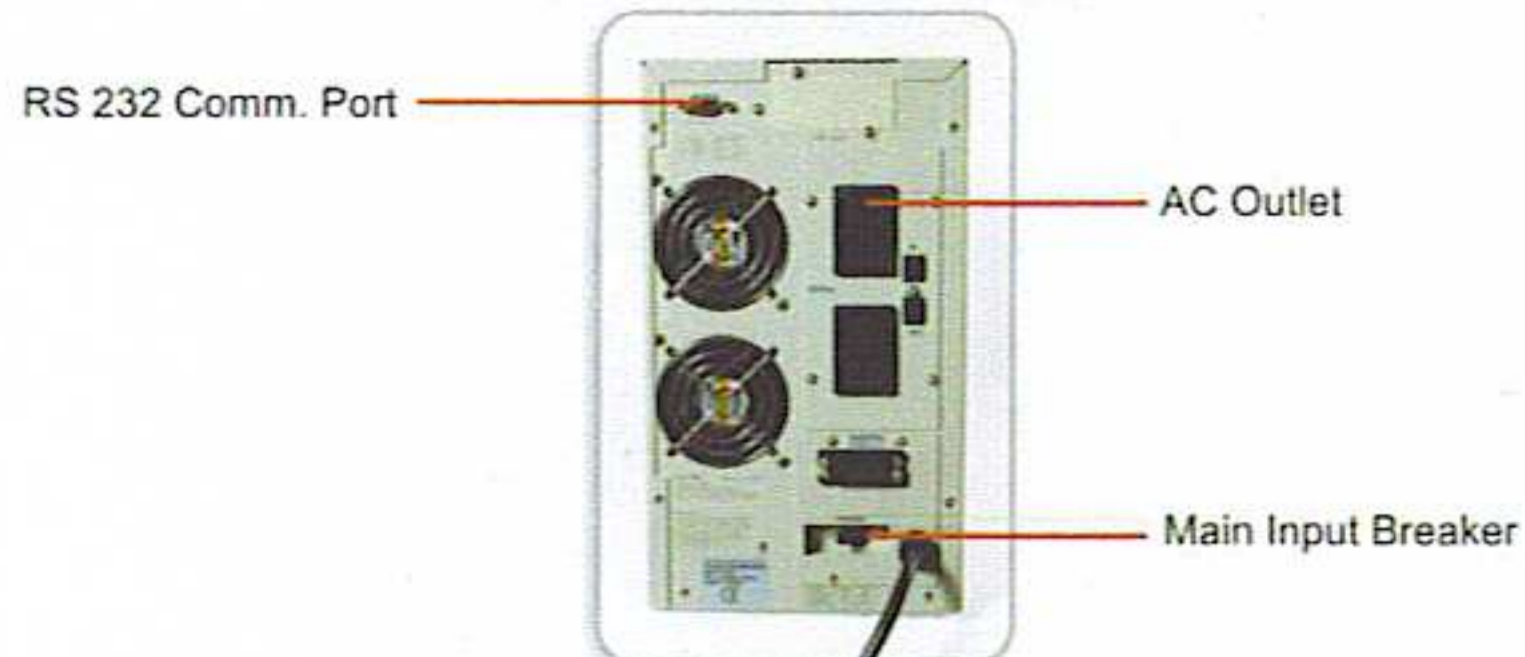


MHD Series



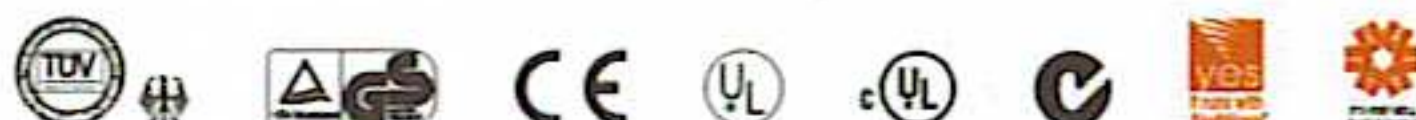
- **Intelligent Microprocessor Controlled True On-Line**
Providing no-break protection for critical applications
- **Double Conversion and Pure Sine Waveform Output**
The Cleanest, most compatible AC output for computer systems
- **50KHz High Frequency Operation**
Compact size, lighter weight for decreased shipping costs
- **Near Unity Input Power Factor(>0.95)**
Saving input current by 1/3
- **Superior Output Voltage Regulation**
Eliminating unnecessary battery discharges for violent voltage fluctuations
- **High Efficiency(>85%)**
High energy efficiency reducing operating costs
- **Long Back-up Time Option**
Internal and external battery Capability;
Plug-in external battery packs
- **RS232 Interface and SNMP Solutions**
Available for most operating systems and Novell environments

MHC/MHD back view

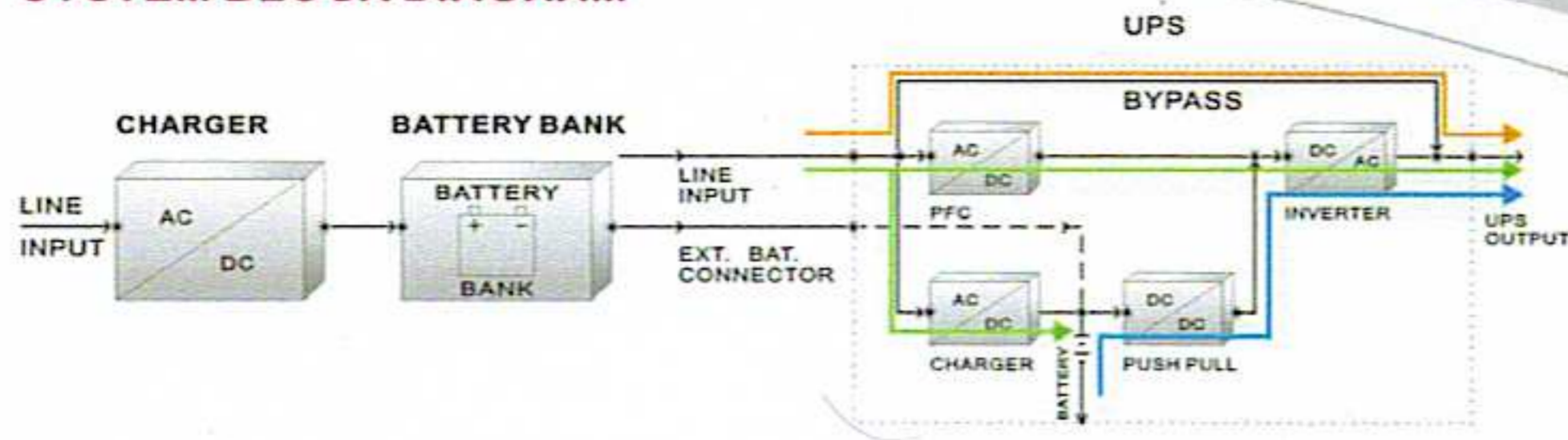


PLAN MY POWER (PTY) LTD
Tel: 011 678 5101 Fax 011 678 0678

www.dc-ac-power-inverters.co.za
www.planmypower.co.za



SYSTEM BLOCK DIAGRAM



SPECIFICATIONS

Model	LED Display	MHC 500	MHC 700	MHC 1000	MHC 2000	MHC 3000
	LCD Display	MHD 500	MHD 700	MHD 1000	MHD 2000	MHD 3000
Output	VA Rating	500VA	700VA	1000VA	2000VA	3000VA
	Wattage(100-120V/220-240V)	350W	490W/450W	700W	1400W	2000W
	Current(100-120V/220V-240V)max.	5A / 2.2A	6.4A/3A	9.1A/4.3A	18.2A/8.7A	27.3A/13A
	Voltage	100,110,120V/220,230,240V±2%				
	Frequency	50/60Hz Auto Select				
	Wave form	Pure Sinewave				
	Harmonic Distortion	Less than 3% at full load(Linear load)				
Input	Voltage	80V-145V/160V-275V				
	Frequency	45 ~ 65Hz Autoselect				
Runtime	Full Load	15min			5-7min	
	Half load	45min			15min	
Transfer time	INV to Bypass/Bypass to INV	Less than 4 msec. (2 msec. minimum)/Zero-Cross Transfer				
	Power Failure /Recovery	0 msec. to or from battery				
Battery	Type (Lead Acid maintenance free)	12V/7AH				
	DC Voltage		24VDC	36VDC	72VDC	96VDC
	Recharge Time	5-8 hours				
	Recharge Current	1.5A (max)				
Efficiency	AC to AC	85% min.				
Audible Noise		<40 dBA			<50 dBA	
Indicators	LED Display	LINE,INV,BAT,BYPASS,FAULT,BAT/LOAD LEVEL				
Auto Restart		Yes				
DC Start-up		Yes				
Protection	Overload	>110% of full load with 15-20 sec. delay, 150% Immediately				
	Over/Under Voltage at I/P or O/P	Inverter shutdown protection				
	Phone Jack	RJ-11/RJ-45				
	Short Circuit	Shut down and won't transfer to bypass output, will work normally again when short circuit be removed				
Approved	EMC/LVD(230V,50Hz)	EN50091-2/EN50091-1				
	C-TICK(240V,50Hz)	AS-NZS 3548				
	Safety	TUV GS Mark EN50091-1-1,UL1778,UL-2601-1,UL,CUL				
	USA FCC(120V,60Hz)	FCC PART 15				
	CNS BSMI(110V,50/60Hz)	CNS 13438				
	IMMUNITY (120V/110V/100V,50/60Hz)	IEEE 587 CLASS A				
Computer Interface	LAN/RS232 Interface	Mains fail, battery low and remote shutdown UPS/RS232 Communication				
Mechanical	Dimensions(W*H*D)mm	140x190x440mm			190x320x500mm	
	Net /Gross Weight(kgs)	12.3/13.8	14.8/16.3	32.4/38.4	38.2/42.2	
Environment	Temperature	0°C-40°C				
	Humidity	0-95% Non-Condensing				

OPTIONAL

Model	HB Series Battery Bank	HB024V028AH	HB036V014AH	HB072V007AH	HB096V007AH
BATTERY	Voltage / Capacity	24VDC/28AH	36VDC/14AH	72VDC/7AH	96VDC/7AH
BATTERY TYPE	Lead Acid maintenance free (pcs.)	12V/7AH * 8	12V/7AH * 6	12V/7AH * 6	12V/7AH * 6
DIMENSIONS	WxHxD mm	140x200x437mm			
N/G Weight (Kgs)		27.0/28.4	21.8/23.2	21.8/23.2	27.0/28.4

Model	CG Series CHARGER	CG1024/CG2024	CG1036/CG2036	CG1072/CG2072	CG1096/CG2096
INPUT VOLTAGE		80 ~ 145Vac/160 ~ 275Vac			
OUTPUT	Voltage/Current (Max.)	24V/12A	36V/12A	72V/8A	96V/6A
DIMENSIONS	WxHxD mm	140x70x272mm			
N/G Weight (Kgs)		2.7/3.7	2.7/3.7	3/4	3/4

Specifications are subject to change without notice.